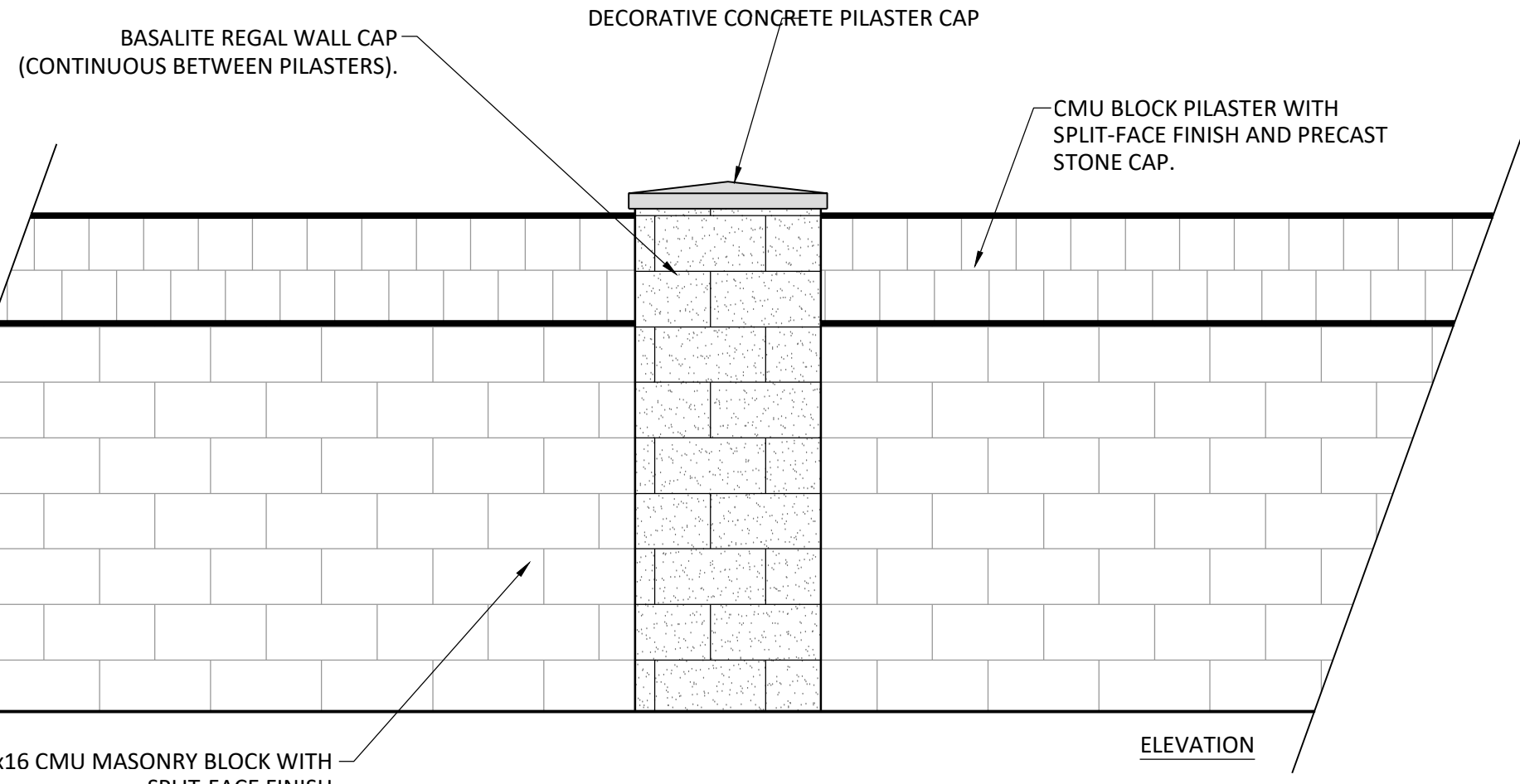
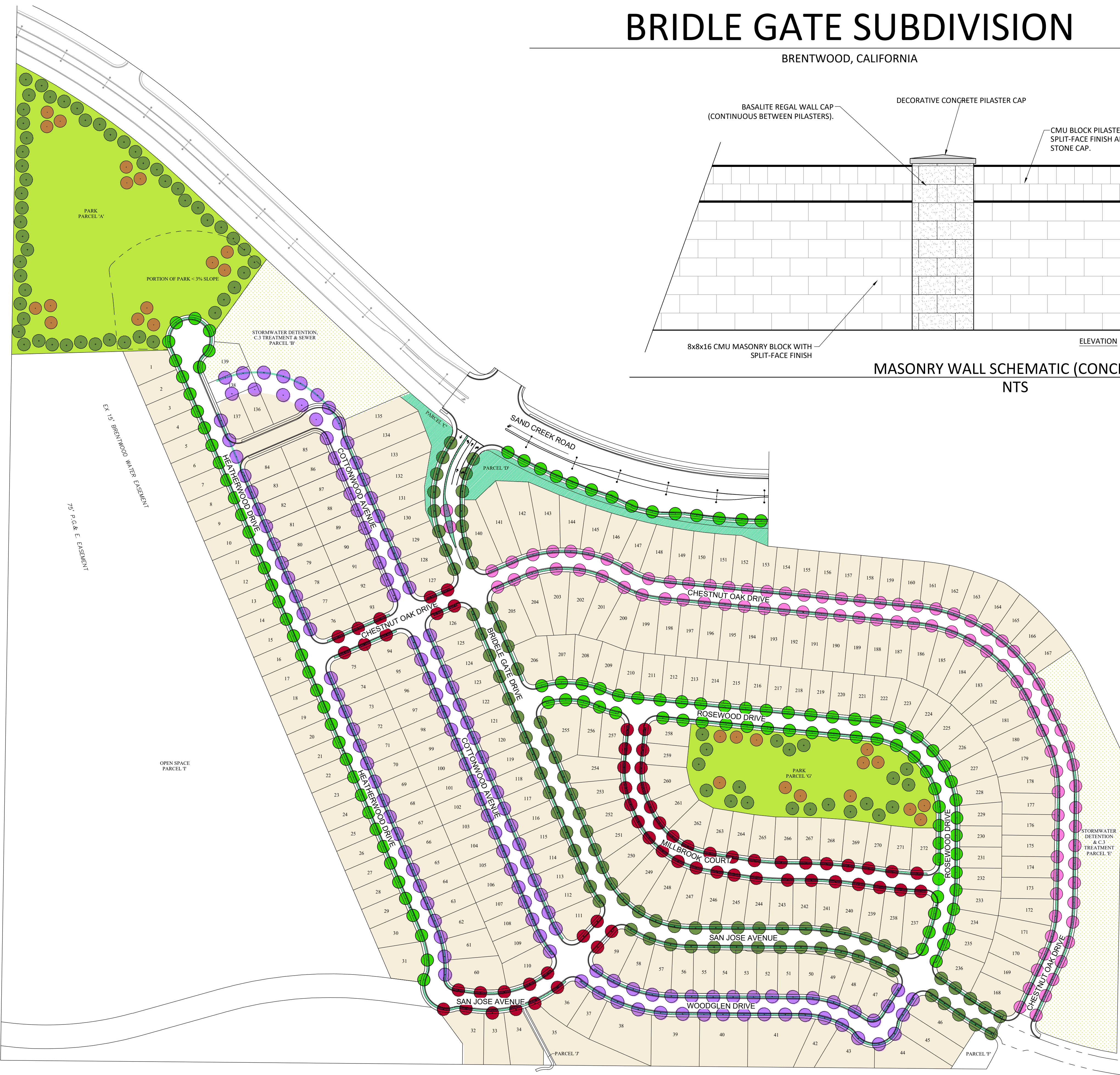


BRIDLE GATE SUBDIVISION

BRENTWOOD, CALIFORNIA

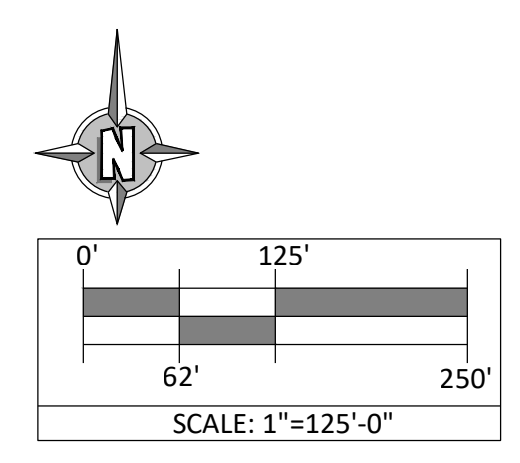


MASONRY WALL SCHEMATIC (CONCEPTUAL)
NTS

STREET TREE MATRIX			
SYM	BOTANICAL/ COMMON NAME	SIZE	WATER USE*
	ARBUTUS 'MARINA'/ STRAWBERRY TREE	15 GAL	LOW
	CELTIS SINENSIS/ CHINESE HACKBERRY	15 GAL	LOW
	GINKGO BILOBA/ MAIDENHAIR TREE	15 GAL	MED
	KOELREUTERIA BIPINNATA/ CHINESE FLAME TREE	15 GAL	LOW
	QUERCUS AGRIFOLIA/ COAST LIVE OAK	15 GAL	LOW

SHRUBS/ GROUNDCOVERS			
SYM	BOTANICAL/ COMMON NAME	SIZE	WATER USE*
	ACCA SELLOWIANA/ PINEAPPLE GUAVA	5 GAL	LOW
	BERBERIS T. 'CRIMSON PYGMY'/ DWARF JAPANESE BARBERRY	1 GAL	MED
	CALLISTEMON V. 'LITTLE JOHN'/ DWARF BOTTLEBRUSH	1 GAL	LOW
	CEANOOTHUS 'CONCHA'/ WILD LILAC	5 GAL	LOW
	CORREA PULCHELLA 'MISSION BELLS'/ AUSTRALIAN FUSCHSIA	5 GAL	LOW
	HEMEROCALLIS 'RED RUM'/ RED DAYLILY	1 GAL	MED
	LANTANA 'GOLD RUSH'/ GOLD RUSH LANTANA	1 GAL	LOW
	LAVANDULA A. 'MUNSTEAD'/ ENGLISH LAVANDER	1 GAL	LOW
	LIRIOPE MUSCARI/ BIG BLUE LILY TURF	1 GAL	MED
	MAHONIA AQUIFOLIUM 'O. F.'/ OREGON GRAPE	1 GAL	MED
	PITTOSPORUM T. 'VARIEGATA'/ VARIGATED TOBIRA	5 GAL	MED
	RIBES 'VIBURNIFOLIUM'/ EVERGREEN CURRRANT	5 GAL	LOW
	ROSA X 'NOARE'/ RED FLOWER CARPET ROSE	5 GAL	MED
	ROSMARINUS 'HUNTINGTON CARPET'/ ROSEMARY	1 GAL	LOW
	SANTOLINA ROSMARINIFOLIA/ SANTOLINA	1 GAL	LOW
	TRACHELOSPERMUM/ JASMINOIDES STAR JASMINE	1 GAL	MED

NON-IRRIGATED BASIN/DETENTION HYDROSEED	
SPECIES	LBS/ACRE
AGROSTIS EXARATA	2.0
DISTICHUS	2.0
ELYMUS TRACHYCAULUS	4.0
ELYMUS TRITICOIDES RIO	3.0
HORDEUM BRACHYANTHERUM	4.0
HORDEUM DEPRESSUM	3.0
HORDEUM INTERCEDENS	3.0
MUHLENBERGIA RIGENS	0.5
PLANTAGO INSULARIS	20.0
SISRINCHIUM BELLUM	1.0
SPOROBOLUS AIRIODES	1.5
TRIFOLIUM WILLDENOVII	3.0
TOTAL:	47.0

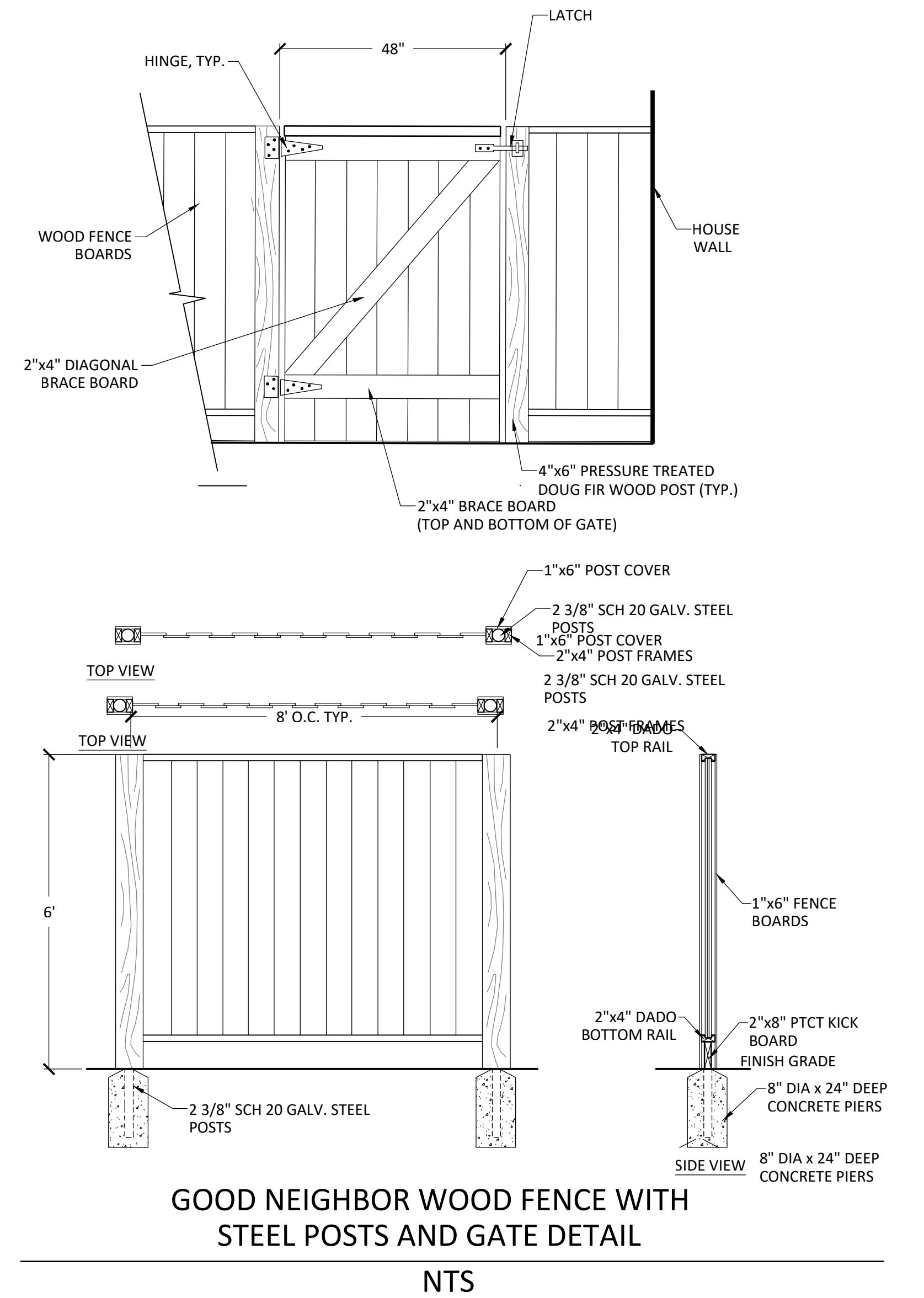
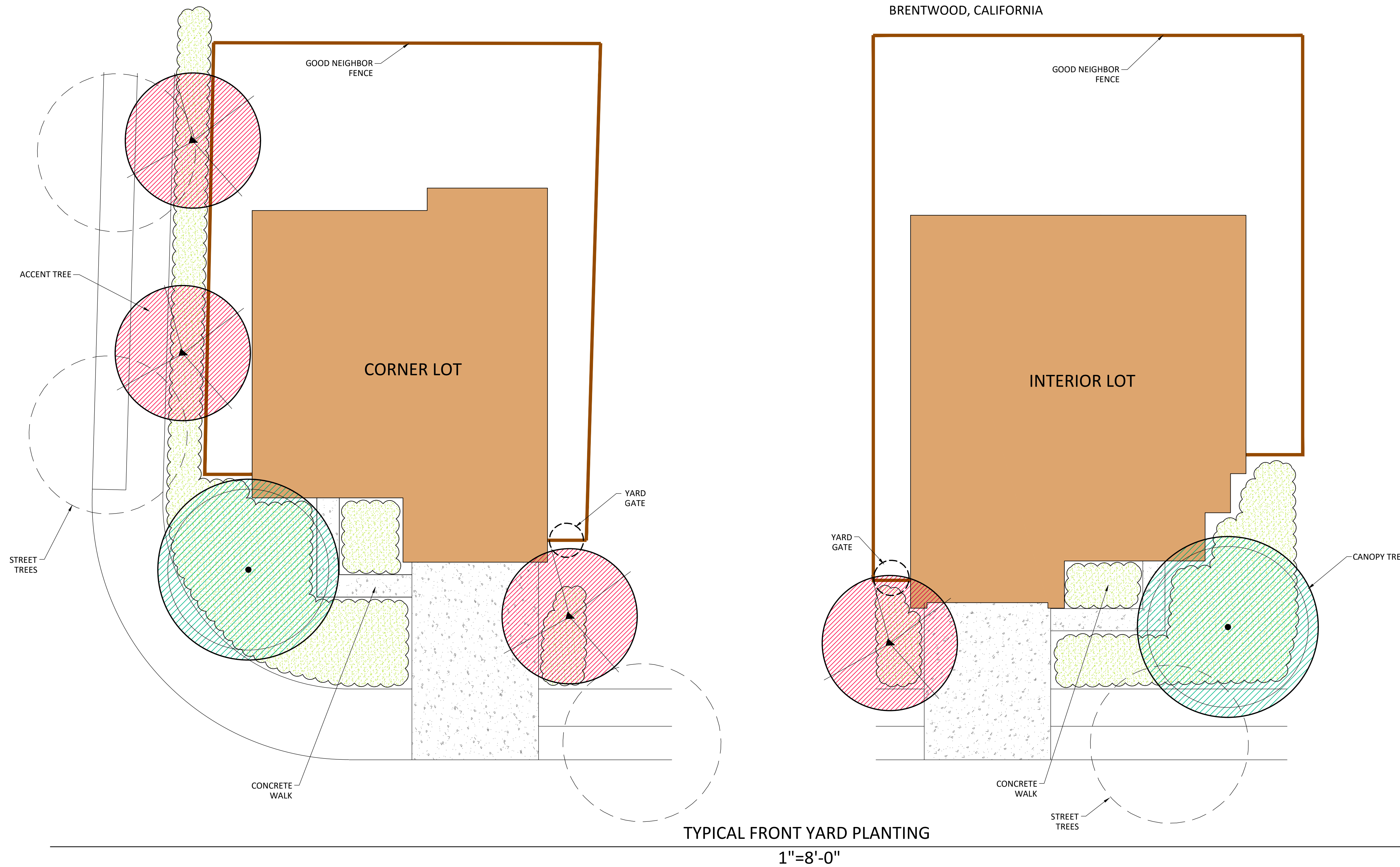


C:\Users\jvishnu\AppData\Local\Temp\kcp\bbish_17008\EXH_BridleGate_Landscape_Site_Plan_Update_SEPT_1_2023.dwg Sep 01, 2023 02:25 pm



BRIDLE GATE SUBDIVISION

BRENTWOOD, CALIFORNIA



PROPOSED YARD PLANTS						
TREES			SHRUBS			
SYMBOL	BOTANICAL/ COMMON NAME	WATER USE	SYMBOL	BOTANICAL/ COMMON NAME	WATER USE	
15 GALLON CONTAINERS						
	ACER RUBRUM 'AUTUMN BLAZE' / RED MAPLE	MED		ARCTOSTAPHYLOS UVA-URSI 'POINT REYES' / PROSTRATE MANZANITA	LOW	
	PISTACIA CHINENSIS 'KEITH DAVEY' CHINESE PISTACHE	LOW		CALLISTEMON V. 'LITTLE JOHN' / DWARF BOTTLEBRUSH	LOW	
				SALVIA GREGGII 'FURMANS RED' / RED SAGE	LOW	
	CERCIS CANADENSIS 'OKLAHOMA' / EASTERN REDBUD	LOW		TEUCRIUM FRUTICANS 'VARIEGATED' / DWARF GERMANDER	LOW	
	LAGERSTROEMIA DYNAMITE / CRAPE MYRTLE	LOW		5 GALLON CONTAINERS		
				ACCA SELLOWIANA / PINEAPPLE GUAVA	LOW	
				PITTOSPORUM T. 'VARIEGATA' / VARIGATED TOBIRA	MED	
				ROSA X 'NOARE' / RED FLOWER CARPET ROSE	MED	
				XYLOSMA CONGESTUM / SHINY XYLOSMA	LOW	